

CIB – flush mounted input modules

Type	DI	DO	AI	AO	Comm
IM2-20B	2x		1		CIB
IM2-40B	4x		1		CIB
IM2-80B	8x		1		CIB

Basic features

- Device is designed to connect and sensing other device with potential free output contact.
- Several inputs on each device can be used as balanced or double balanced inputs for security detectors. It enables to recognize 4 situations: no alarm, alarm, broken circuit and tamper.
- On board power supply 12 V DC can be used for local supplying of security sensors.
- Input for external temperature sensor.
- Status of Run/Error is indicated by the LED on the front panel.

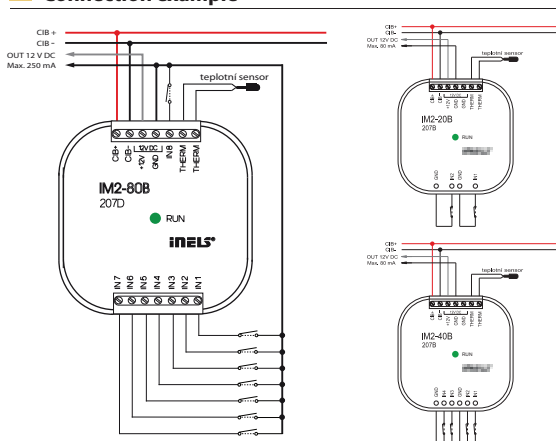
Connecting

- The device is to be wired by two wires of CIB, which provide both the power supply and communication channel.
- The device is for mounting into the flush box.

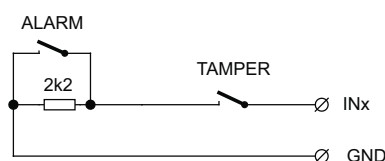
Use

- Sensing any device with potential free output contact like standard wall switches or push-buttons of any design, security sensors, fire detectors etc.

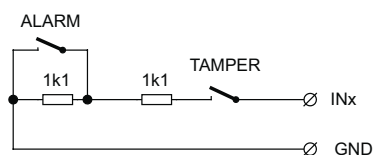
Connection example



Connecting balanced inputs



Connecting double balanced inputs



IM2-20B



IM2-40B



IM2-80B

Binary inputs

	IM2-20B	IM2-40B	IM2-80B
Input type	2x potential free contact	4x potential free contact	8x potential free contact
Balanced inputs	2x (IN1-IN2)	2x (IN1-IN2)	5x (IN1-IN5)

Analog inputs

	IM2-20B	IM2-40B	IM2-80B
Input type	(THERM)	(THERM)	(THERM)
Input type	External temperature sensor NTC 12 k	External temperature sensor NTC 12 k	External temperature sensor NTC 12 k
Measurement range	-20 ÷ 100 °C	-20 ÷ 100 °C	-20 ÷ 100 °C
Accuracy	0.8 °C	0.8 °C	0.8 °C

Power supply/Communication

	IM2-20B	IM2-40B	IM2-80B
Power supply/communication	24 V (27 V) from the bus CIB	24 V (27 V) from the bus CIB	24 V (27 V) from the bus CIB
On board local power supply	12 V DC for sensors	12 V DC for sensors	12 V DC for sensors
Current consumption	25 mA	25 mA	25 mA
Current consumption with full load on 12 V DC on board supply	60 mA	60 mA	100 mA

Dimensions and weight

	IM2-20B	IM2-40B	IM2-80B
Dimensions	49 × 49 × 13 mm	49 × 49 × 13 mm	49 × 49 × 13 mm
Weight	30g	32g	24g

Operating conditions

Operating temperature	-20 ÷ +55 °C
Storage temperature	-30 ÷ +70 °C
Electric strength	according EN 60950
IP Degree of protection IEC EN 60529	IP 30
Overvoltage category	III
Degree of pollution IEC EN 61131-2	2
Working position	Any
Installation	Flush mounted
Connections	screw terminals
Conductors cross-section	max. 2.5 mm ²

Teco a.s. supplies units under the name INELS

Order number

IM2-20B	IM2-20B, CIB, 2xDI for dry contacts, 2 of them balanced, external temperature sensor
IM2-40B	IM2-40B, CIB, 4xDI for dry contacts, 2 of them balanced, external temperature sensor
IM2-80B	IM2-80B, CIB, 8xDI for dry contacts, 2 of them balanced, external temperature sensor